



CAD/CAM SYSTEMS | INSTRUMENTS | HYGIENE SYSTEMS | TREATMENT CENTERS | **IMAGING SYSTEMS**

HELIODENT^{Plus} – EASY INTRAORAL X-RAYING

Exactly tailored to your demands.

The Dental Company

sirona.

INTUITIVE AND SAFE OPERATION

The direct path to easy operation.



Above all, the X-ray unit suitable for your practice must be easy to operate so that intraoral X-rays can be taken quickly and safely. The user interface must be understood intuitively and at first glance. The HELIODENT^{Plus} is a state-of-the-art intraoral X-ray system that is consistently oriented towards the requirements of your practice team. Durable and exactly tailored to your demands, it constantly ensures easy operation.

Overview instead of oversupply

Select an exposure type based on tooth symbols for the upper and lower jaw regions. Patient symbols for children help adapt the radiation dose to lower values. Blue LEDs indicate which functions you have selected. For special exposures, the preprogrammed exposure time can be altered manually (with the + and – keys). And the mere push of a button is also sufficient should you wish to change between suitable exposure times for digital and film X-ray as well as between different kV values.

Multicolour for multiple operating states

The colour of the display changes according to the system's current operating state. The four signal colours safely guide you through the exposure process:

- **Blue:** Neutral state, ready for exposure
- **Yellow:** Radiation active
- **White:** Cooling period, also displayed in system settings menu
- **Red:** An error has occurred

Saves time

Intelligent user interface design leads to faster exposures. HELIODENT^{Plus} is the best way to perform routine X-ray diagnosis.

Remote Control

The exposure process can also be controlled from outside the X-ray room – via a control panel with a manual release or via timer. The manual release can be detached from the control panel and used as a remote release.





IMAGE QUALITY AND NETWORK OPERATION

Digital X-ray for the ideal workflow.

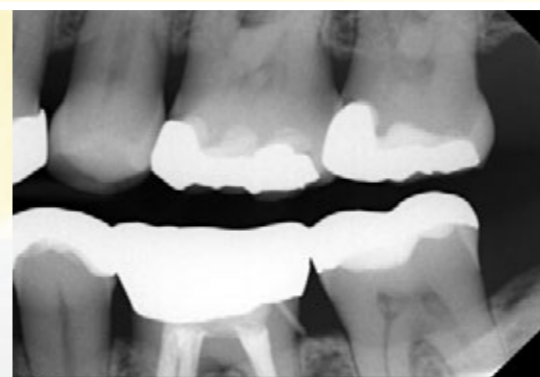
Just how well a system supports you in routine X-ray diagnostics has less to do with the number of functions it offers than with the image quality it produces. The definition, details and distinct structures of X-ray images are vital for the reliability of your diagnosis. In connection with the established Sirona sensors, HELIODENT^{Plus} supplies first-class digital images. SIDEXIS XG software displays these images in real time – and simplifies your workflow with image processing and archiving tools. These three optimally matched components help you achieve an ideal workflow in your practice.

System communication

Digital X-ray with a system including HELIODENT^{Plus}, Sirona sensors and SIDEXIS XG software extends your possibilities for patient communication and ensures ideal interaction in your practice team. Exposure data can be transferred to any PC in your practice network.

Competent instead of complicated

SIDEXIS XG simplifies the handling of digital X-ray images from diagnosis to archiving. Filters, measuring tools and analysis functions help you retrieve a maximum amount of information from each exposure. Drawing tools and electronic memos simplify communication with patients and colleagues. In extended use, SIDEXIS XG also optimally supports panoramic X-ray units and the new GALILEOS 3D X-ray system. This platform capability makes the purchase of this software an especially cost-effective investment.



Excellent integration

SIDEXIS XG software is compatible with all important practice administration programmes. If you install SIDEXIS XG on several PCs in your practice, you only need purchase a single license.

Outstanding image quality

When using Sirona sensors with CMOS sensor technology, the additional use of filters, e.g. "brightness/contrast" and "high definition" is superfluous in many cases.

Safe diagnostics

HELIODENT X-ray images are detailed and feature an especially high contrast range, allowing excellent detail recognition. This is made possible by the high-frequency generator, which supplies high-energy radiation that is harder than the radiation produced by conventional single-pulse generators.

ROBUST QUALITY – FLEXIBLE INTEGRATION

Rely on the HELIODENT^{Plus}.

The quality of an X-ray unit is also revealed by how long it accompanies you. The robust swivel arm of the HELIODENT^{Plus} is designed for a tough workload – and, no matter what room conditions prevail in your practice, the new intraoral X-ray system from Sirona will flexibly adapt to its local conditions. Ideal prerequisites for a long partnership!

Handy instead of hindering

With its three selectable support arm lengths (short, long or extra long), HELIODENT^{Plus} also optimally fits into the available workspace directly in the treatment room, again cutting time spent on intraoral exposures!

Different practices – different installations

The HELIODENT^{Plus} can be mounted either on the wall or on stud partitions. And, if you would like to release X-ray exposures from outside the X-ray room, simply attach the remote control kit there.

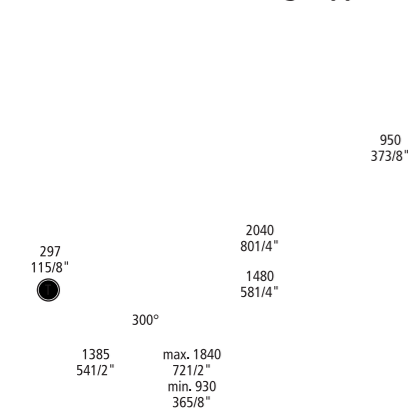
Fits everywhere

In the X-ray room or right next to the treatment center – no matter where you want to use the HELIODENT^{Plus}, it's always at your disposal. Your dealer will be glad to answer your questions – call today!

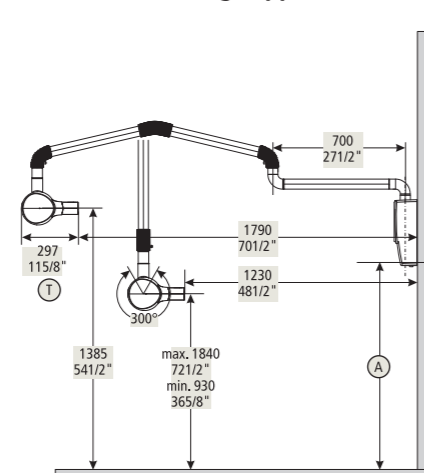
Exact alignment

The tube assembly head is equipped with a goniometer. This gives you additional certainty regarding positioning.

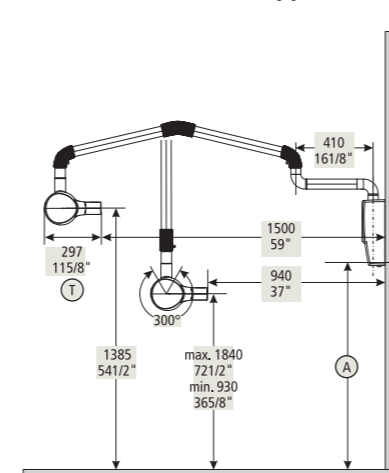
HELIODENT^{Plus}, extra long support arm



HELIODENT^{Plus}, long support arm



HELIODENT^{Plus}, short support arm



Technical data on HELIODENT^{Plus}

Focal spot	0.4 (IEC 336)
Tube voltage	Selectable between 60 kV and 70 kV
Generator	High-frequency generator for constant high voltage
Tube current	7 mA
Line voltage	120 V–240 V ± 10 %, 50–60 Hz
Exposure time	Selectable from 0.01 s up to 3.2 s
Detector media	Individually selectable, exposure tables individually adaptable
Exposure tables	Switchable between two detector media
Display	Automatic sleep mode selectable
Focus-skin distance	Standard 20 cm
Focus-skin distance	By request 30 cm



CAD/CAM SYSTEMS | INSTRUMENTS | HYGIENE SYSTEMS | TREATMENT CENTERS | IMAGING SYSTEMS

SIRONA – UNIQUE WORLDWIDE SYSTEMS EXPERTISE IN DENTAL EQUIPMENT PRODUCTS

Sirona develops and manufactures a comprehensive range of dental equipment, including CAD/CAM Systems for dental practices (CEREC) and laboratories (inLab), Instruments and Hygiene Systems, Treatment Centers and Imaging Systems. Sirona manufactures high technology products that guarantee ease of use and a high return on investment – for the good of your practice and for the benefit of your patients. In this way, you can approach every challenge you face with confidence. **Enjoy every day. With Sirona.**

Sirona Dental Systems · E-mail: contact@sirona.com · www.sirona.com

The Dental Company

sirona.